

# Port Insert Test Sheet

Test Results:

P=Pass F=Fail

1\_\_\_\_\_

2\_\_\_\_\_

3\_\_\_\_\_

4\_\_\_\_\_

5\_\_\_\_\_

6\_\_\_\_\_

7\_\_\_\_\_

8\_\_\_\_\_

9\_\_\_\_\_

10\_\_\_\_\_

11\_\_\_\_\_

12\_\_\_\_\_

13\_\_\_\_\_

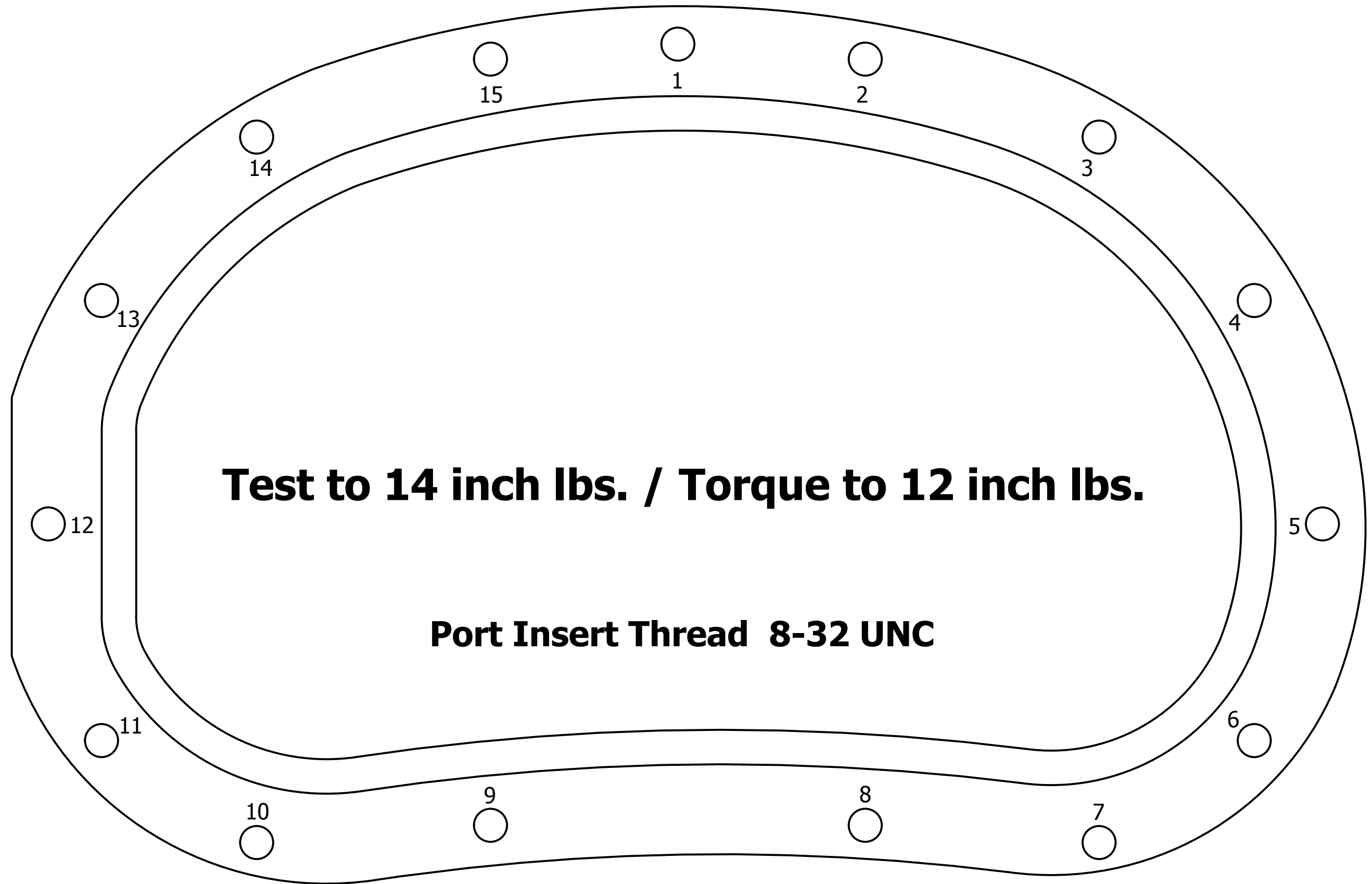
14\_\_\_\_\_

15\_\_\_\_\_

Date\_\_\_\_\_ Company\_\_\_\_\_

Helmet/KMB Model\_\_\_\_\_ SN#\_\_\_\_\_

Technician\_\_\_\_\_



Notes/Comments: \_\_\_\_\_

\_\_\_\_\_