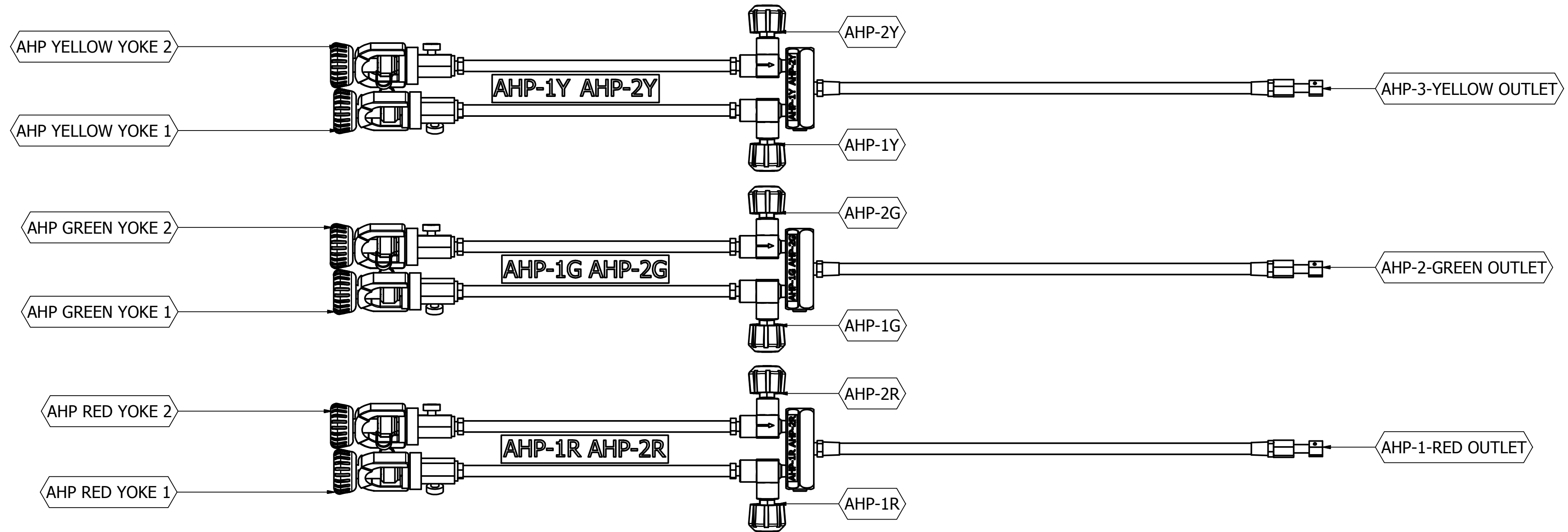


NOTES:

1. ABBREVIATIONS:

- AHP = AIR HIGH PRESSURE
- ALP = AIR LOW PRESSURE
- XC = CROSS CONNECT
- R = RED
- G = GREEN
- Y = YELLOW
- REG = REGULATOR



DRAWN	MIKE WARD	1/15/2012
CHECKED	R.H.	1/16/2012
QA		
MFG		

Dive Lab Inc.		
VALVE IDENTIFICATION FOR OP-1, OP-2, OP-3		
SIZE	DWG NO	REV
C	7027	-
SCALE	SHEET 1 OF 2	

MATERIAL	DIVE LAB INC. 1415 MOYLAN ROAD, PANAMA CITY BEACH, FL 32407 VOICE: 850-235-2715 FAX: 850-235-0858
.X+- .032 .XX +- .01 .XXX +- .005 √63 UNSPECIFIED SURFACES	
COPYRIGHT 2012 DIVE LAB INC.	