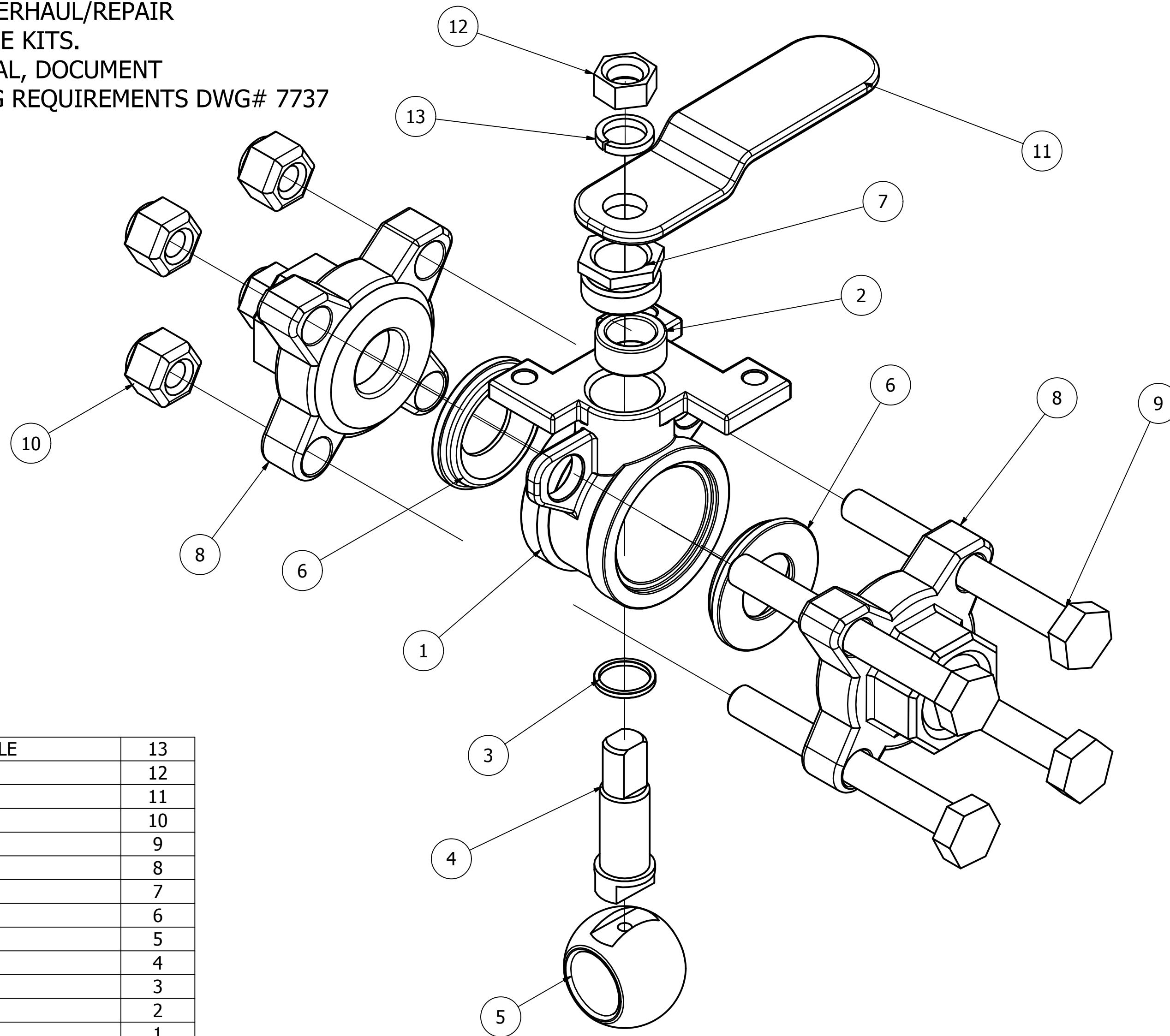


NOTES:

- INDIVIDUAL COMPONENTS ARE CALLED OUT FOR REFERENCE ONLY. MOST COMPONENTS ARE NOT AVAILABLE INDIVIDUALLY FOR PURCHASE. REFER TO OVERHAUL/REPAIR KITS TABLE (DRAWING NO 7033) FOR SERVICE KITS.
- PRE ASSEMBLY REQ. IAW DIVE LAB QA MANUAL, DOCUMENT (XLDSPROOF22111 1B MW), MANUFACTURING REQUIREMENTS DWG# 7737



1	1XL8-13	WASHER, HANDLE	13
1	1XL8-12	NUT, HANDLE	12
1	1XL8-11	HANDLE	11
4	1XL8-10	NUT, NYLOK	10
4	1XL8-9	BOLT	9
2	1XL8-8	VALVE END	8
1	1XL8-7	STEM CAP	7
2	1XL8-6	END SEAL	6
1	1XL8-5	BALL	5
1	1XL8-4	STEM	4
1	1XL8-3	WASHER, STEM	3
1	1XL8-2	VALVE PACKING	2
1	1XL8-1	BODY, CENTER	1
QTY	DIVE LAB PART NO.	DESCRIPTION	ITEM
BALL VALVE 1XL8			

DRAWN	MIKE S. WARD	5/5/2005
CHECKED	R.H.	1/12/2012
QA		
MFG		
APPROVED	M.F. WARD	1/12/2012

Dive Lab Inc.	
TITLE	
BALL VALVE	
SIZE	DWG NO
C	7025
SCALE	REV
	-

MATERIAL	DIVE LAB INC. 1415 MOYLAN ROAD, PANAMA CITY BEACH, FL 32407 VOICE: 850-235-2715 FAX: 850-235-0858
	.X+- .032 .XX +- .01 .XXX +- .005 √63 UNSPECIFIED SURFACES

COPYRIGHT 2011 DIVE LAB INC.

SHEET 1 OF 1