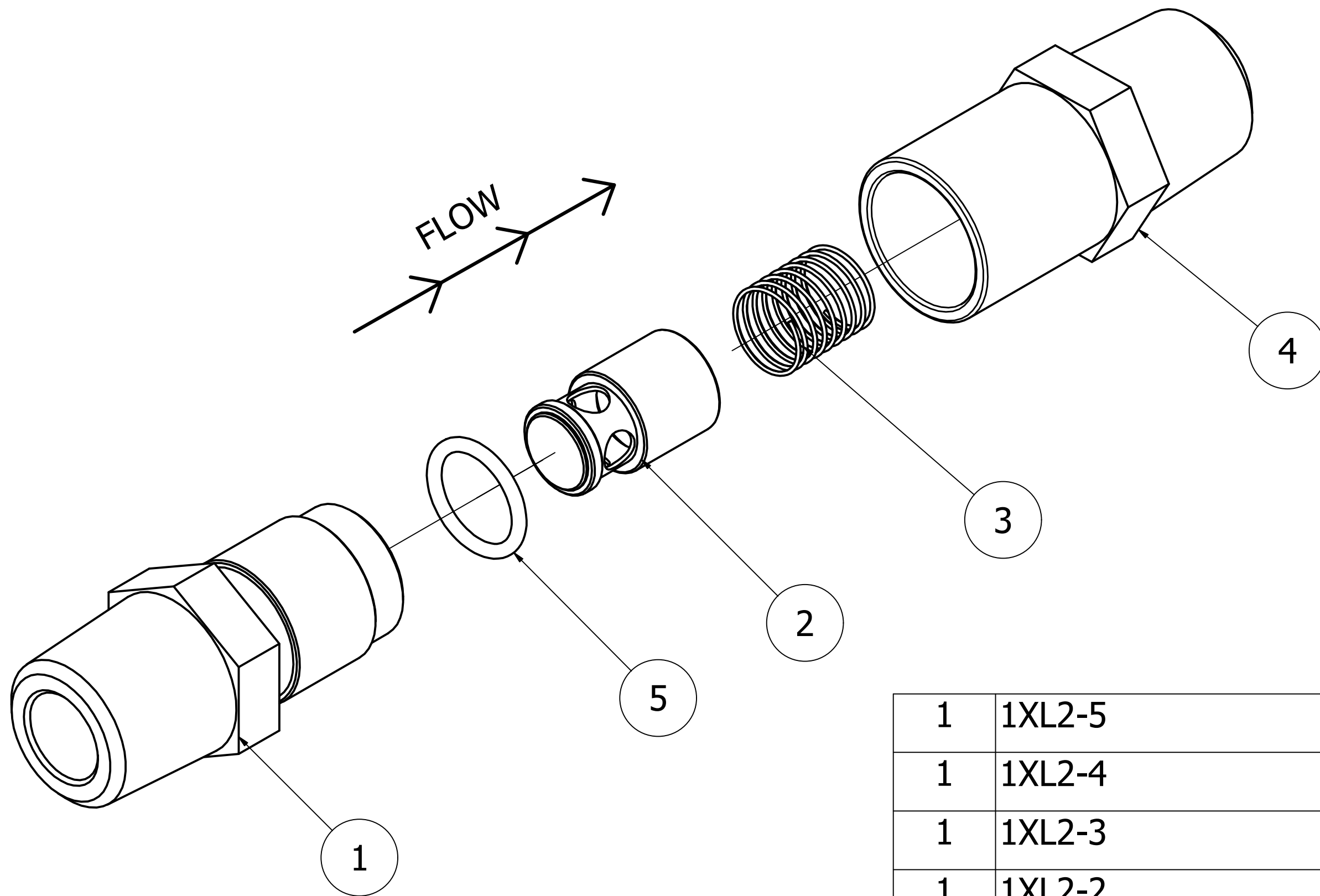


NOTES:

1. INDIVIDUAL COMPONENTS ARE CALLED OUT FOR REFERENCE ONLY. MOST COMPONENTS ARE NOT AVAILABLE INDIVIDUALLY FOR PURCHASE. REFER TO OVERHAUL/REPAIR KITS TABLE (DRAWING NO 7033) FOR SERVICE KITS.
2. PRE ASSEMBLY REQ. IAW DIVE LAB QA MANUAL, DOCUMENT (XLDSPROOF22111 1B MW), MANUFACTURING REQUIREMENTS DWG# 7737



1	1XL2-5	O-RING	5
1	1XL2-4	BODY	4
1	1XL2-3	SPRING	3
1	1XL2-2	SPRING HOUSING	2
1	1XL2-1	MAIN HOUSING	1
QTY	DIVE LAB PART NO.	DESCRIPTION	ITEM
CHECK VALVE 1XL2			

MATERIAL	DIVE LAB INC. 1415 MOYLAN ROAD, PANAMA CITY BEACH, FL 32407 VOICE: 850-235-2715 FAX: 850-235-0858
	.X+- .032 .XX +- .01 .XXX +- .005 √63 UNSPECIFIED SURFACES
COPYRIGHT 2012 DIVE LAB INC.	

DRAWN MIKE S. WARD	5/6/2005
CHECKED R.H. QA	1/12/2012
MFG	
APPROVED M.F. WARD	1/12/2012

Dive Lab Inc.	
CHECK VALVE 1XL2	
SIZE C	DWG NO 7024
SCALE	SHEET 1 OF 1

D

C

B

A

4

3

4

2

1