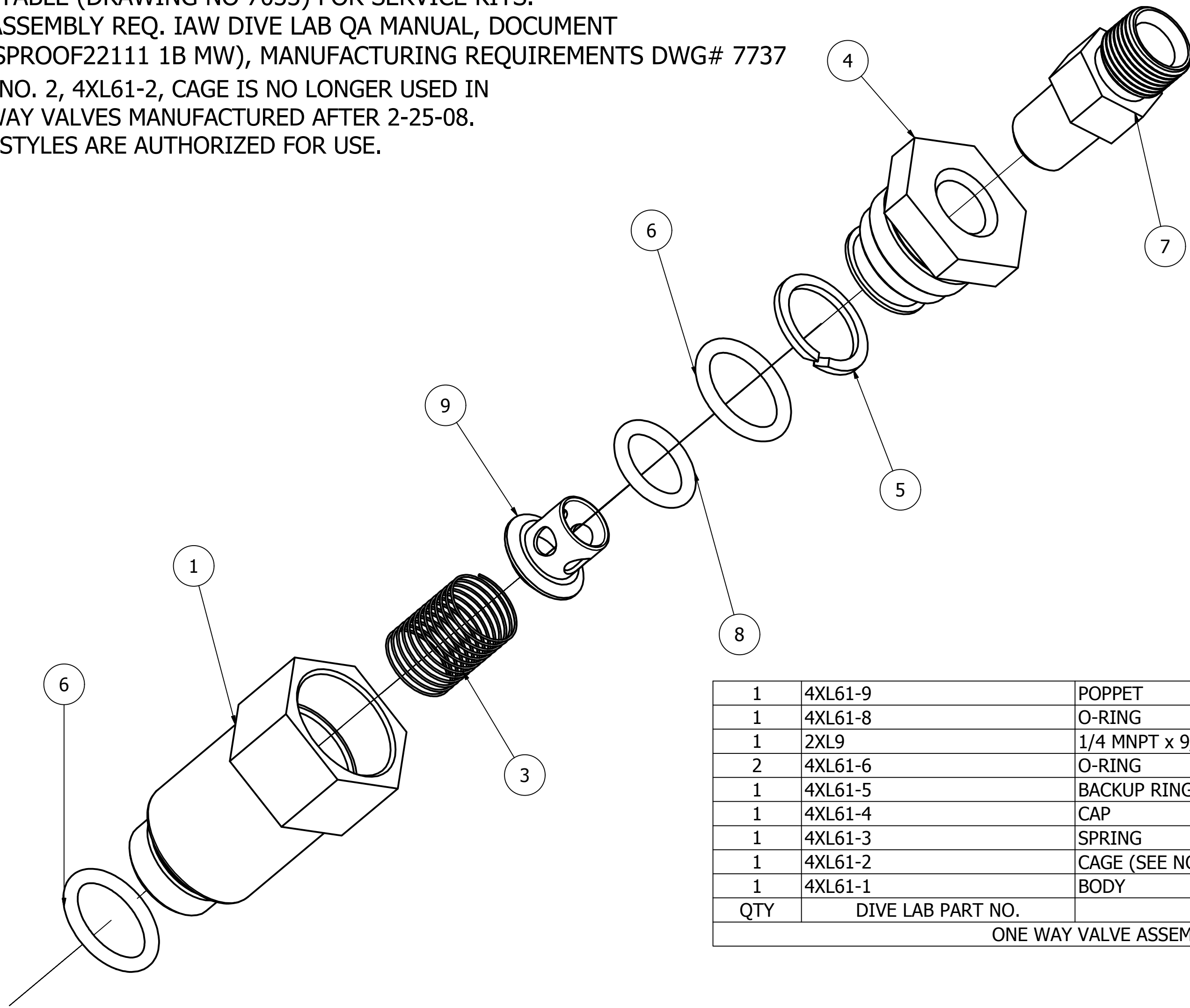


NOTES:

1. INDIVIDUAL COMPONENTS ARE CALLED OUT FOR REFERENCE ONLY. MOST COMPONENTS ARE NOT AVAILABLE INDIVIDUALLY FOR PURCHASE. REFER TO OVERHAUL/REPAIR KITS TABLE (DRAWING NO 7033) FOR SERVICE KITS.
2. PRE ASSEMBLY REQ. IAW DIVE LAB QA MANUAL, DOCUMENT (XLDSPROOF22111 1B MW), MANUFACTURING REQUIREMENTS DWG# 7737
3. ITEM NO. 2, 4XL61-2, CAGE IS NO LONGER USED IN ONE WAY VALVES MANUFACTURED AFTER 2-25-08. BOTH STYLES ARE AUTHORIZED FOR USE.



1	4XL61-9	POPPET	9
1	4XL61-8	O-RING	8
1	2XL9	1/4 MNPT x 9/16-18 CGA O2	7
2	4XL61-6	O-RING	6
1	4XL61-5	BACKUP RING	5
1	4XL61-4	CAP	4
1	4XL61-3	SPRING	3
1	4XL61-2	CAGE (SEE NOTE 3) NOT SHOWN	2
1	4XL61-1	BODY	1
QTY	DIVE LAB PART NO.	DESCRIPTION	ITEM
ONE WAY VALVE ASSEMBLY			

MATERIAL	DIVE LAB INC. 1415 MOYLAN ROAD, PANAMA CITY BEACH, FL 32407 VOICE: 850-235-2715 FAX: 850-235-0858
	.X+- .032 .XX +- .01 .XXX +- .005 √63 UNSPECIFIED SURFACES
COPYRIGHT 2012 DIVE LAB INC.	

DRAWN MIKE S. WARD	5/5/2005
CHECKED R.H. QA	1/12/2012
MFG	
APPROVED M.F. WARD	1/12/2012

Dive Lab Inc.	
TITLE ONE WAY VALVE	
SIZE C	DWG NO 7023
SCALE	REV -
SHEET 1 OF 1	