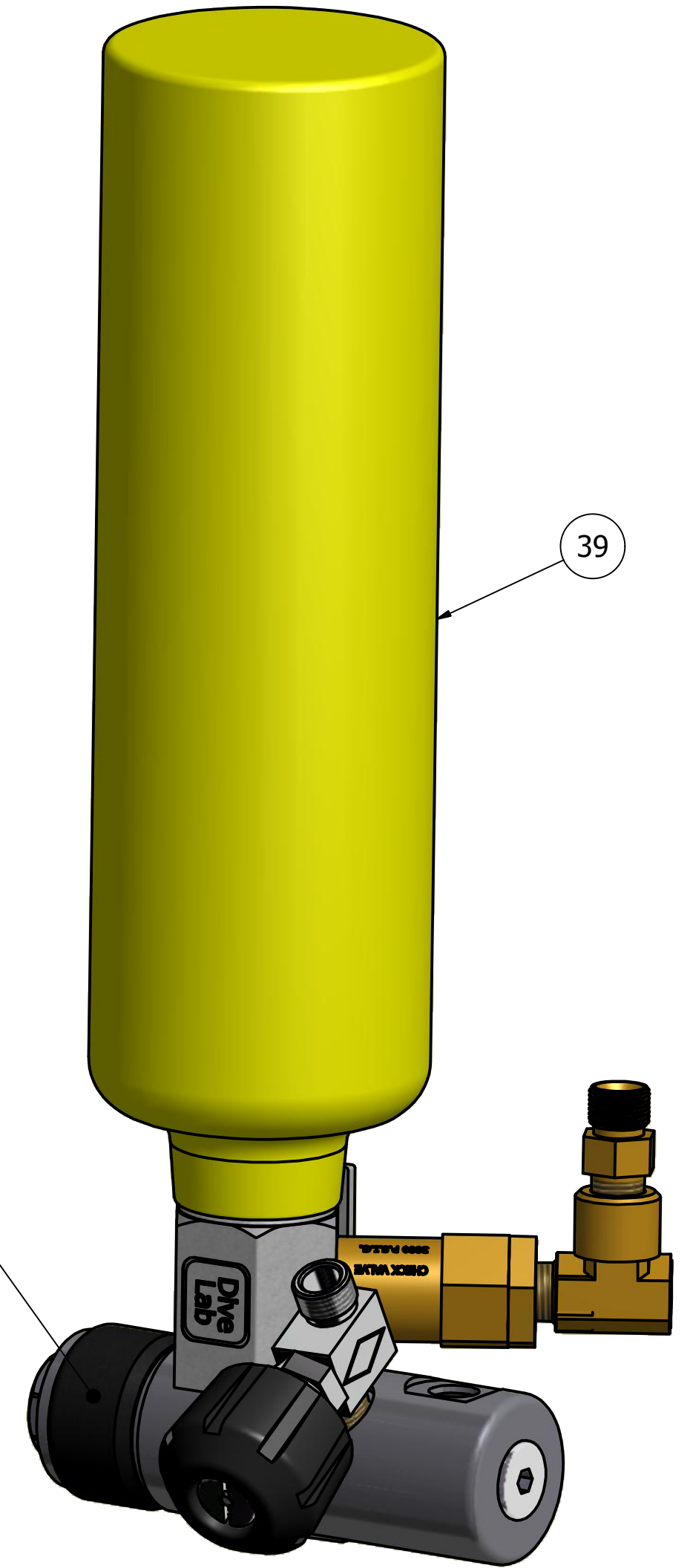
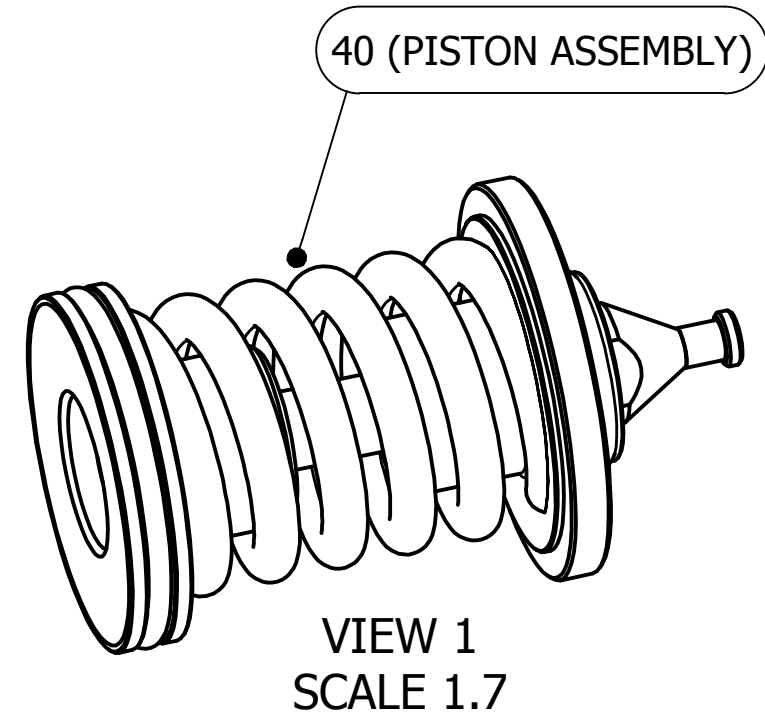
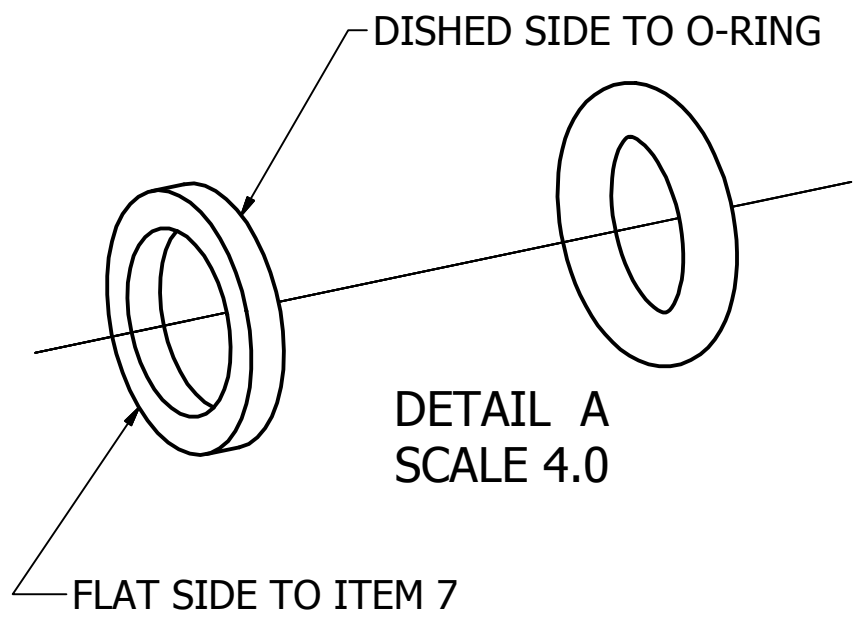


- NOTES:
 1. PRE ASSEMBLY REQ. IAW DIVE LAB QA MANUAL, DOCUMENT (XLDSPROOF22111 1B MW), MANUFACTURING REQUIREMENTS DWG# 7737
 2. PROTECT SURFACES FROM NICKS/SCRATCHES



MATERIAL	DIVE LAB INC. 1415 MOYLAN ROAD, PANAMA CITY BEACH, FL 32407 VOICE: 850-235-2715 FAX: 850-235-0858
	.X+- .032 .XX +- .01 .XXX +- .005 √63 UNSPECIFIED SURFACES
COPYRIGHT 2011 DIVE LAB INC.	

DRAWN	M.S. WARD	11/16/2011
CHECKED	R.H. QA	1/12/2012
MFG		
APPROVED	M.F. WARD	1/12/2012

Dive Lab Inc.		TITLE	INTERMEDIATE COMPENSATING SYSTEM (ICS)		
SIZE	C	DWG NO	7021	REV	-
SCALE		SHEET 1 OF 2			