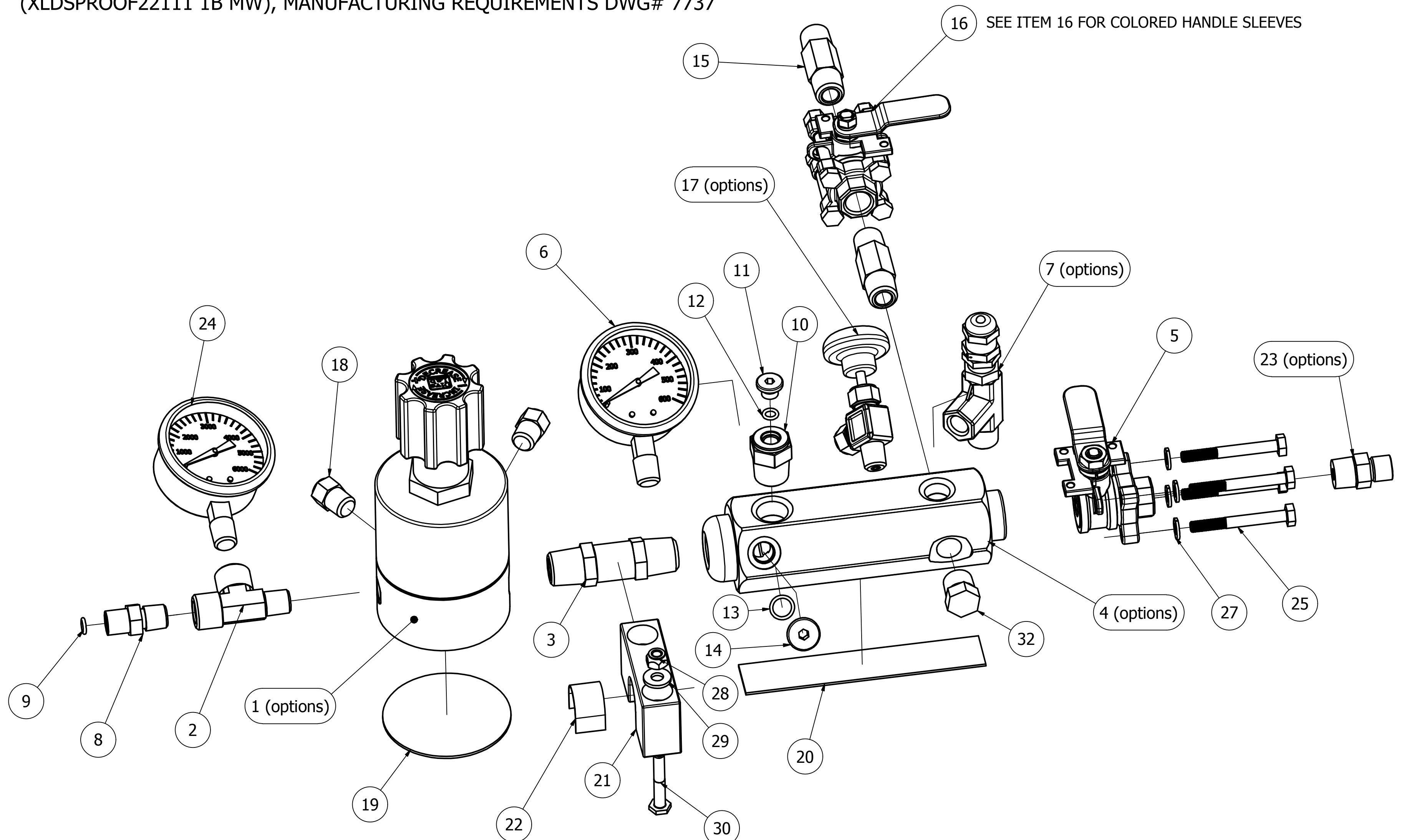


NOTES:

1. RED, GREEN AND YELLOW GAS SYSTEM LEGS ARE COMMON WITH THE EXCEPTION OF ITEM 32. ITEM 32 IS USED ON RED AND YELLOW MANIFOLD ONLY.
2. PRE ASSEMBLY REQ. IAW DIVE LAB QA MANUAL, DOCUMENT (XLDSPROOF22111 1B MW), MANUFACTURING REQUIREMENTS DWG# 7737



SEE ITEM 16 FOR COLORED HANDLE SLEEVES

REGULATOR SETTINGS
 FOR XLDS SET TO 350-375 PSIG
 FOR CONVENTIONAL SET ACCORDING TO
 EQUIPMENT REQUIREMENTS

RELIEF SETTINGS
 FOR XLDS SET TO 390-400 PSIG
 FOR CONVENTIONAL SET TO 290-300 PSIG

MATERIAL	DIVE LAB INC. 1415 MOYLAN ROAD, PANAMA CITY BEACH, FL 32407 VOICE: 850-235-2715 FAX: 850-235-0858
	.X+- .032 .XX +- .01 .XXX +- .005 √63 UNSPECIFIED SURFACES

DRAWN	MIKE WARD	11/2/2011
CHECKED	R.H.	1/12/2012
QA		
MFG		
APPROVED	M.F. WARD	1/12/2012

Dive Lab Inc.		
TITLE		
GAS SYSTEM LEG ASSEMBLY		
SIZE	DWG NO	REV
C	7012	-
SCALE	SHEET 1 OF 2	