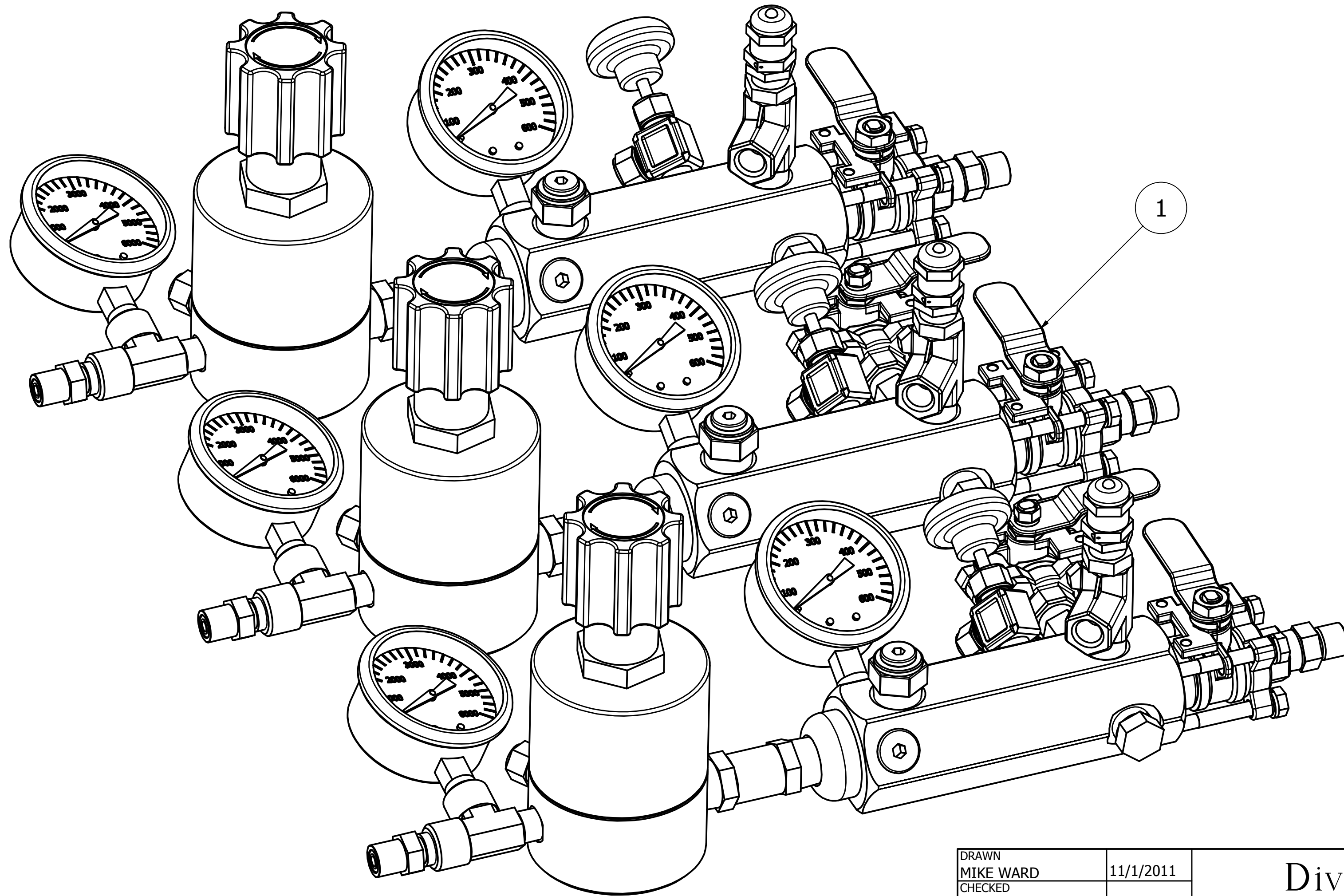


NOTES:

1. PRE ASSEMBLY REQ. IAW DIVE LAB QA MANUAL, DOCUMENT (XLDSPROOF22111 1B MW), MANUFACTURING REQUIREMENTS DWG# 7737

1XL00A	3 DIVER GAS SYSTEM ASSEMBLY	1
DIVE LAB PART NO.	DESCRIPTION	ITEM
3 DIVER GAS SYSTEM ASSEMBLY		



MATERIAL	DIVE LAB INC. 1415 MOYLAN ROAD, PANAMA CITY BEACH, FL 32407 VOICE: 850-235-2715 FAX: 850-235-0858
	.X+- .032 .XX +- .01 .XXX +- .005 √63 UNSPECIFIED SURFACES
COPYRIGHT 2012 DIVE LAB INC.	

DRAWN MIKE WARD	11/1/2011
CHECKED R.H. QA	1/12/2012
MFG	
APPROVED M.F. WARD	1/12/2012

Dive Lab Inc.	
3 DIVER GAS SYSTEM ASSEMBLY	
SIZE C	DWG NO 7011
SCALE	SHEET 1 OF 1