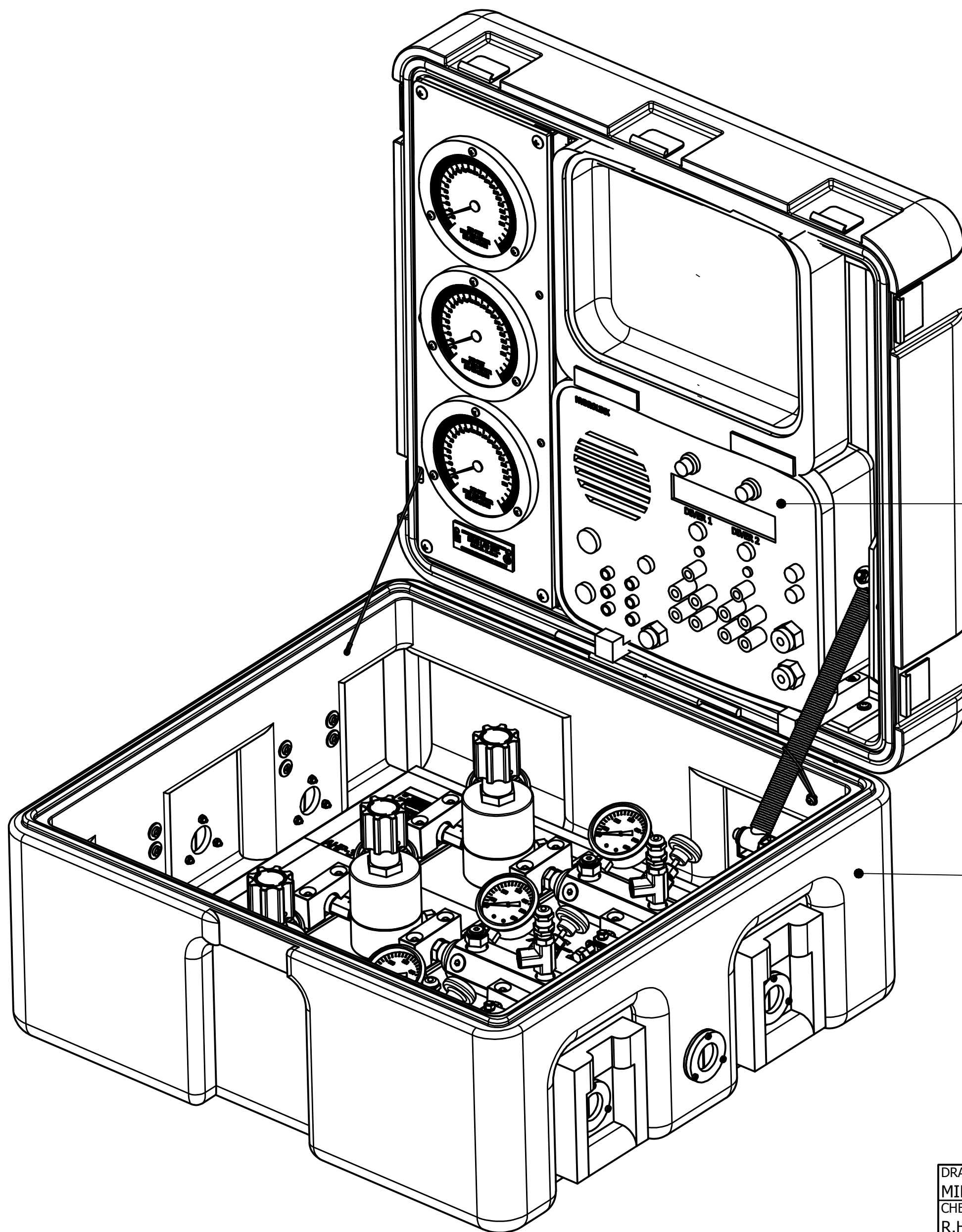


NOTES:  
 1. PRE ASSEMBLY REQ. IAW DIVE LAB QA MANUAL, DOCUMENT (XLDSPROOF22111 1B MW), MANUFACTURING REQUIREMENTS DWG# 7737

1XL31A	HYDROLINX COMM BOX (3DIVER)	2
1XL00	3 DIVER CONSOLE	1
DIVE LAB PART	DESCRIPTION	ITEM
XLDS RDC-3 CONSOLE		



DRAWN	MIKE WARD	11/10/2011
CHECKED	R.H.	1/27/2012
QA		
MFG		
APPROVED	M.F. WARD	1/27/2012

Dive Lab Inc.	
CONSOLE	
XLDS-RDC-3D	
SIZE	DWG NO
C	7008
SCALE	SHEET 1 OF 1

MATERIAL	DIVE LAB INC. 1415 MOYLAN ROAD, PANAMA CITY BEACH, FL 32407 VOICE: 850-235-2715 FAX: 850-235-0858
	.X+- .032 .XX +- .01 .XXX +- .005 √63 UNSPECIFIED SURFACES
COPYRIGHT 2011 DIVE LAB INC.	