

4 3 2 1

D

D

C

C

B

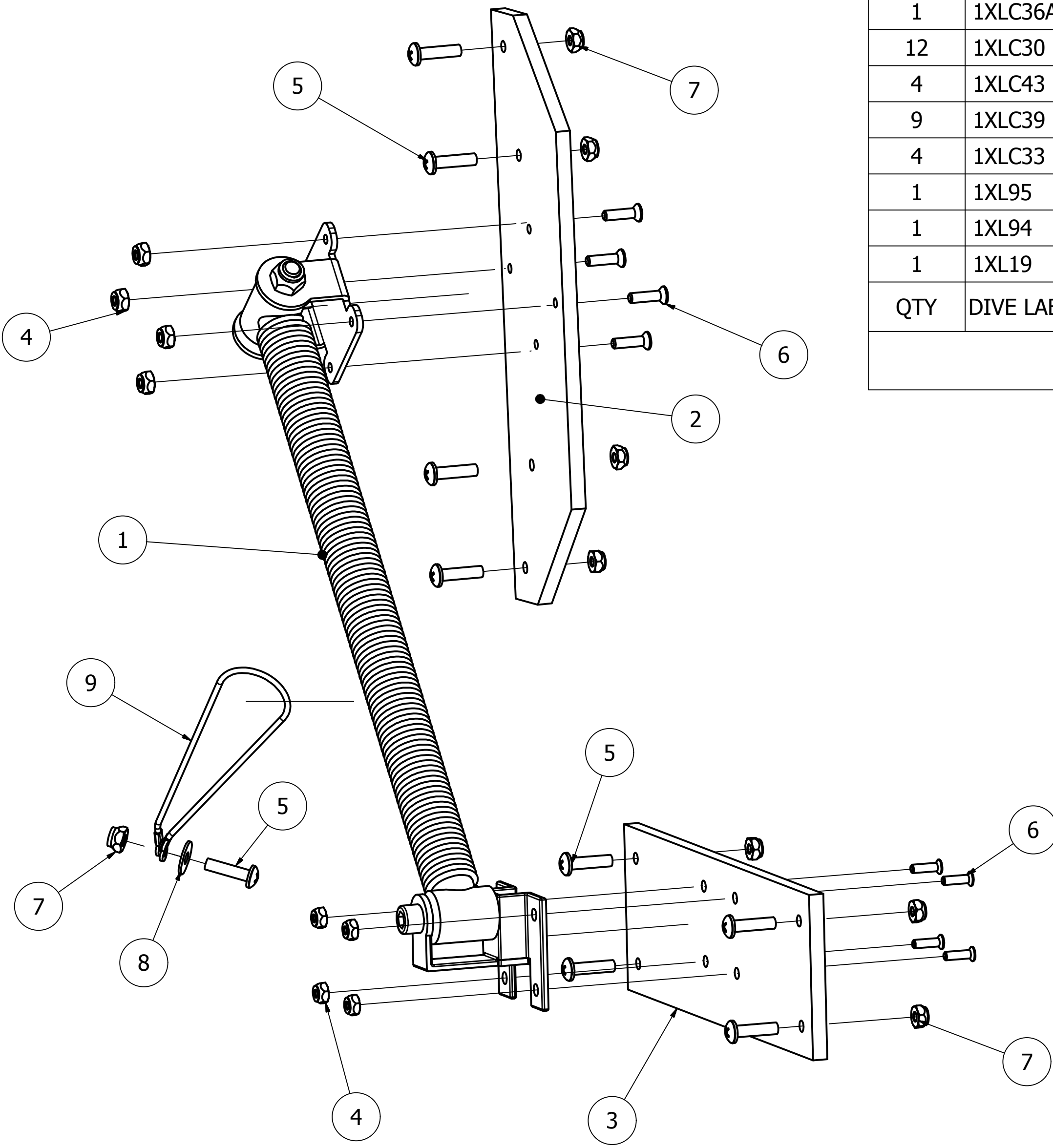
B

A

A

A

A



1	1XL19A	SPRING SAFETY CABLE	9
1	1XLC36A	#10 FLAST WASHER	8
12	1XLC30	10-24 NYLOK NUT	7
4	1XLC43	6-32 x 5/8 CSINK PHILLPIS SCREW	6
9	1XLC39	10-24 x 3/4 PHILLIPS SCREW	5
4	1XLC33	6-32 NYLOK NUT	4
1	1XL95	SPRING MOUNT BASE	3
1	1XL94	SPRING MOUNT LID	2
1	1XL19	SPRING	1
QTY	DIVE LAB PART NO.	DESCRIPTION	ITEM
CASE LID SPRING ASSEMBLY			

MATERIAL

DIVE LAB INC. 1415 MOYLAN ROAD, PANAMA CITY BEACH, FL 32407  
 VOICE: 850-235-2715 FAX: 850-235-0858

.X+- .032 .XX +- .01 .XXX +- .005 √63 UNSPECIFIED SURFACES

DRAWN	M. WARD	11/1/2011
CHECKED	R.H.	2/9/2012
QA		
MFG		
APPROVED	M.F. WARD	2/9/2012

Dive Lab Inc.

TITLE

**CHASSIS SPRING ASSEMBLY**

SIZE	C	DWG NO	7005	REV	
SCALE		SHEET 1 OF 1			

4 3 2 1