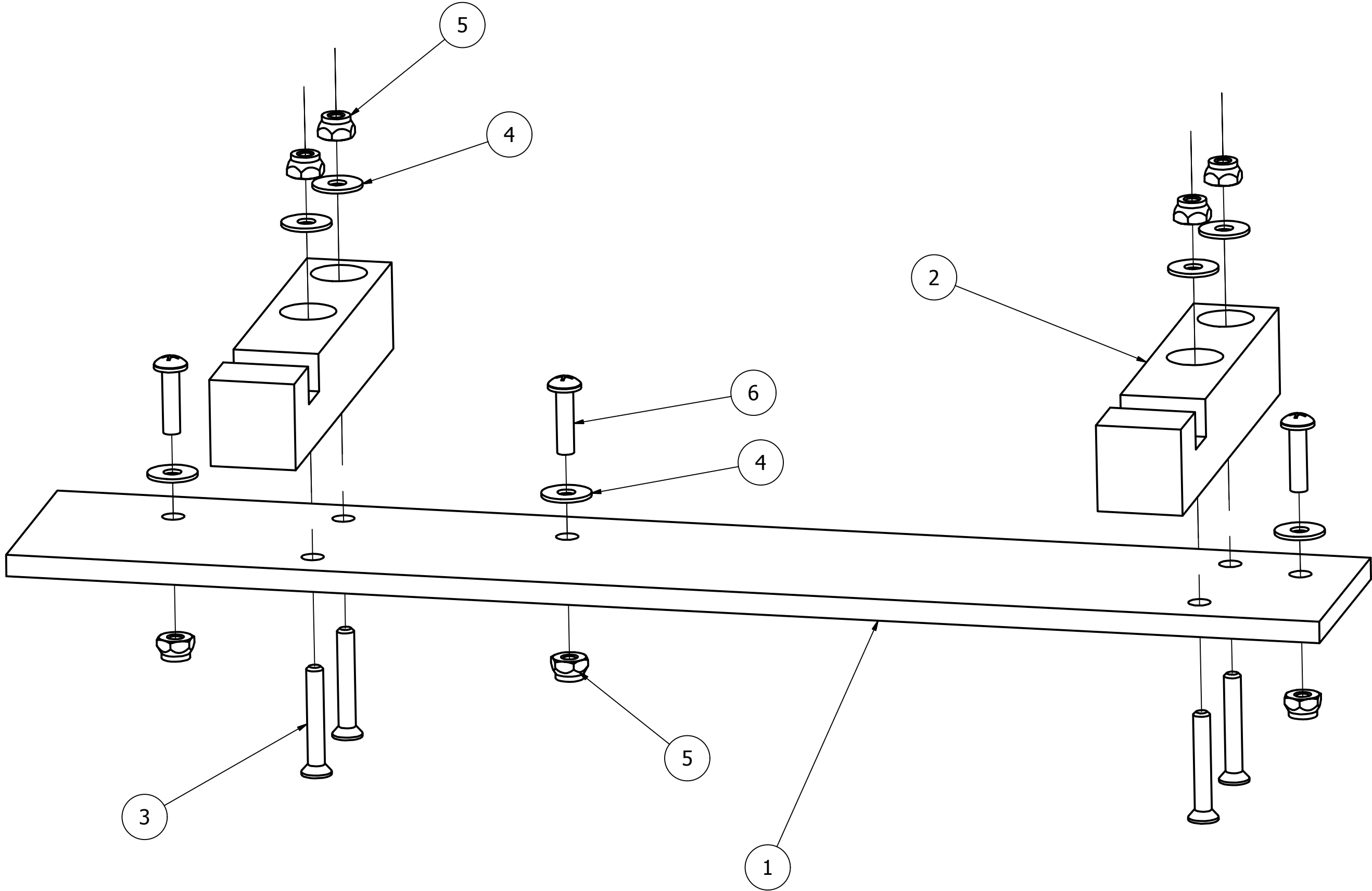


| | | | |
|--------------------------|-------------------|--------------------------------|------|
| 3 | 1XL33C | 10-24 x 3/4 PHILLIPS SCREW | 6 |
| 7 | 1XLC30 | 10-24 NYLOK NUT | 5 |
| 7 | 1XLC36A | #10 FLAT WASHER | 4 |
| 4 | 1XL33B | 10-24 x 1 CSINK PHILLIPS SCREW | 3 |
| 2 | 1XL33A | MOUNT BLOCK | 2 |
| 1 | 1XL33 | BASE PLATE | 1 |
| QTY | DIVE LAB PART NO. | DESCRIPTION | ITEM |
| HYDROLINX COMM BOX MOUNT | | | |



| | | |
|----------|-----------|-----------|
| DRAWN | M. WARD | 11/1/2011 |
| CHECKED | R.H. | 1/27/2012 |
| QA | | |
| MFG | | |
| APPROVED | M.F. WARD | 1/27/2012 |

| | | |
|----------------------------------|--------|-----|
| Dive Lab Inc. | | |
| TITLE HYDROLINX CHASSIS MOUNT | | |
| SIZE | DWG NO | REV |
| C | 7004 | - |

| | |
|----------|--|
| MATERIAL | DIVE LAB INC. 1415 MOYLAN ROAD, PANAMA CITY BEACH, FL 32407 VOICE: 850-235-2715 FAX: 850-235-0858 |
| | .X+- .032 .XX +- .01 .XXX +- .005 √63 UNSPECIFIED SURFACES |