

4

3

2

1

D

D

C

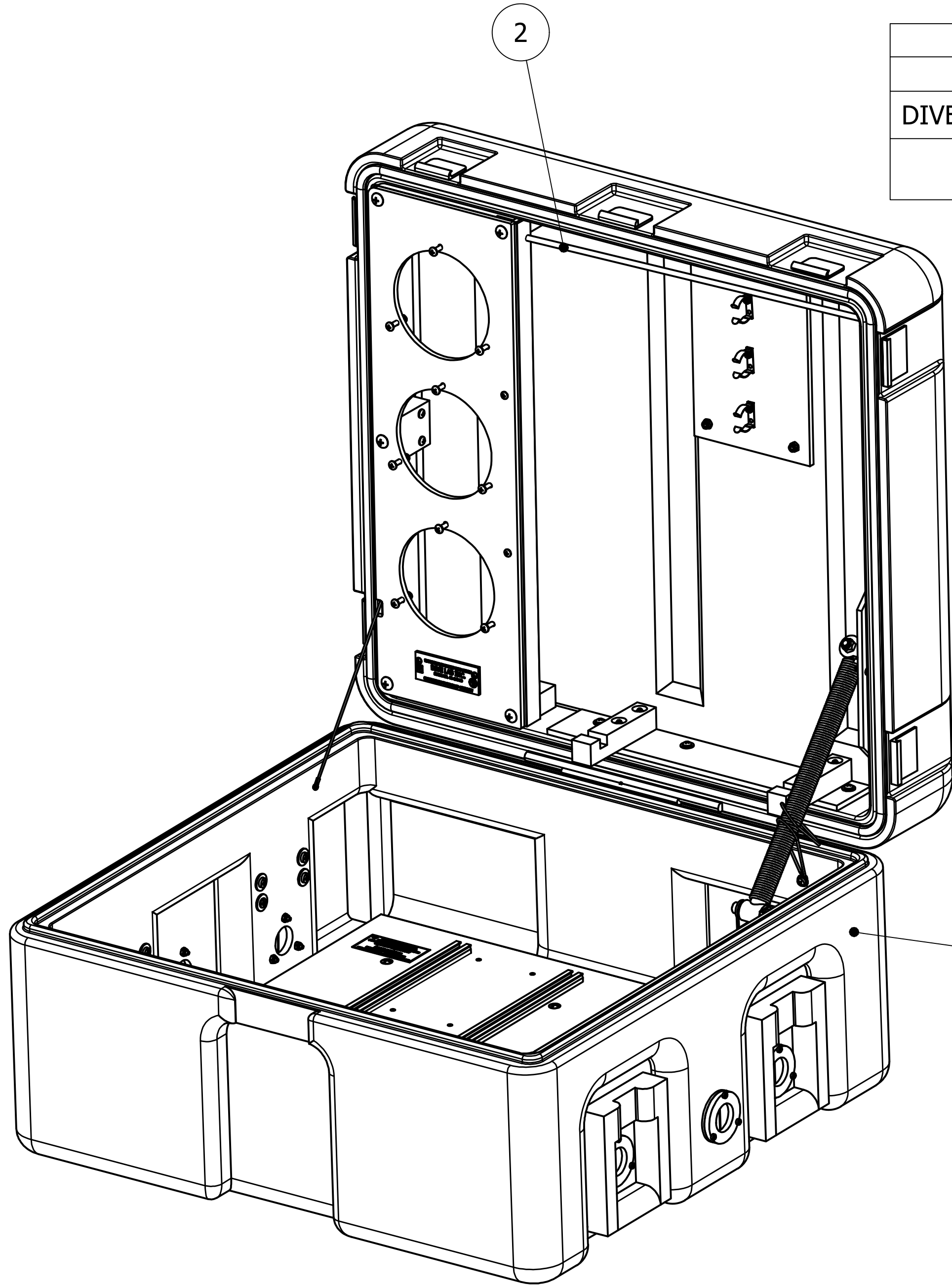
C

B

B

A

A



1XL33A	COMM BOX RETAINER CORD	2
1XLC00	XLDS RDC-3 CHASSIS ASSEMBLY	1
DIVE LAB PART NO.	DESCRIPTION	ITEM NO.
3 DIVER CHASSIS ASSEMBLY		

DRAWN	MIKE WARD	11/2/2011
CHECKED	R.H.	1/27/2012
QA		
MFG		
APPROVED	M.F. WARD	1/27/2012

Dive Lab Inc.	
3 DIVER CHASSIS ASSEMBLY	
SIZE	DWG NO
C	7000
SCALE	REV
	-

MATERIAL	DIVE LAB INC. 1415 MOYLAN ROAD, PANAMA CITY BEACH, FL 32407 VOICE: 850-235-2715 FAX: 850-235-0858
	.X+- .032 .XX +- .01 .XXX +- .005 √63 UNSPECIFIED SURFACES

4

3

4

2

1