

Port Insert Test Sheet

Test Results:

P=Pass F=Fail

1_____

2_____

3_____

4_____

5_____

6_____

7_____

8_____

9_____

10_____

11_____

12_____

13_____

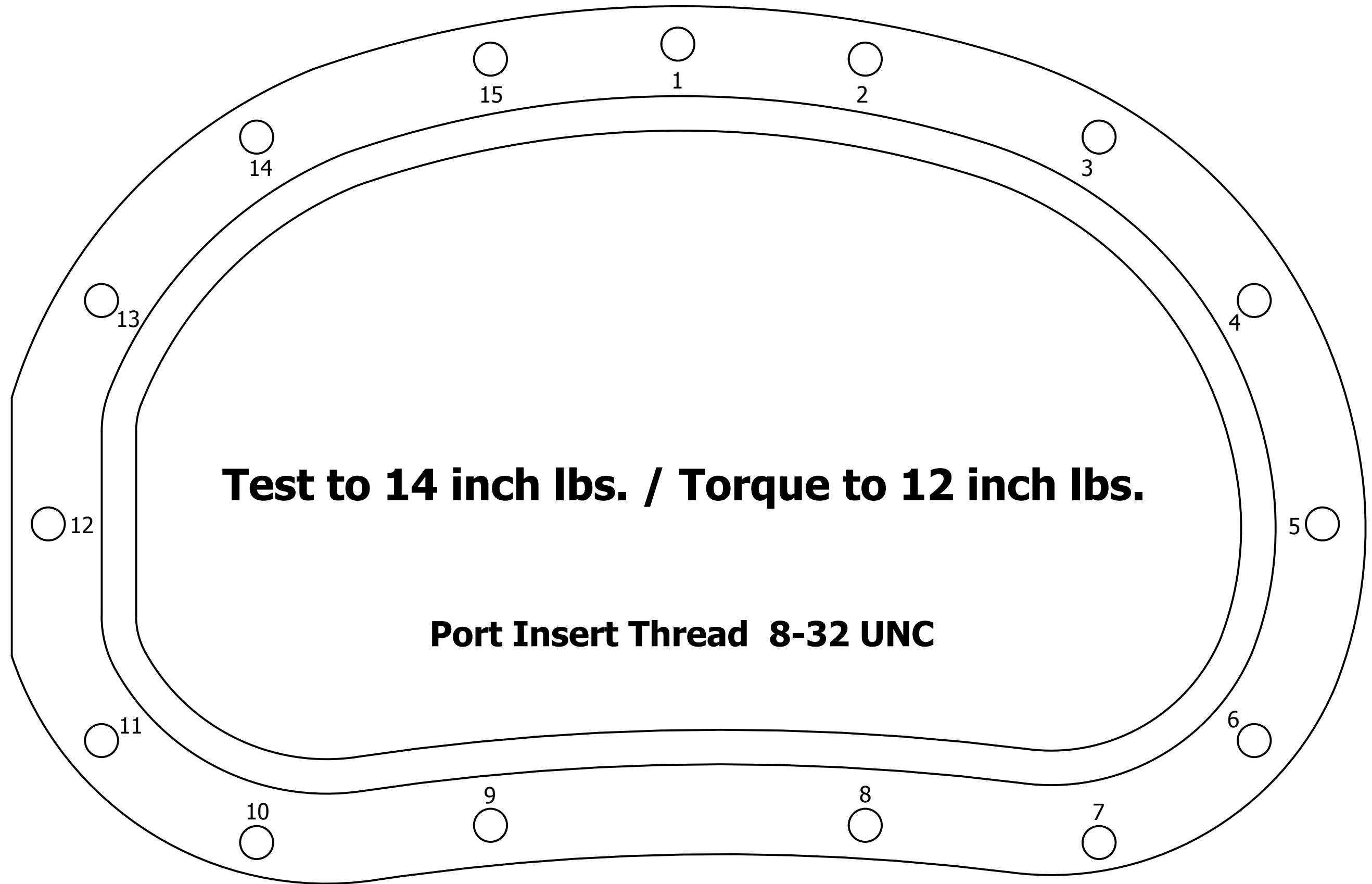
14_____

15_____

Date_____ Company_____

Helmet/KMB Model_____ SN#_____

Technician_____



Notes/Comments: _____
